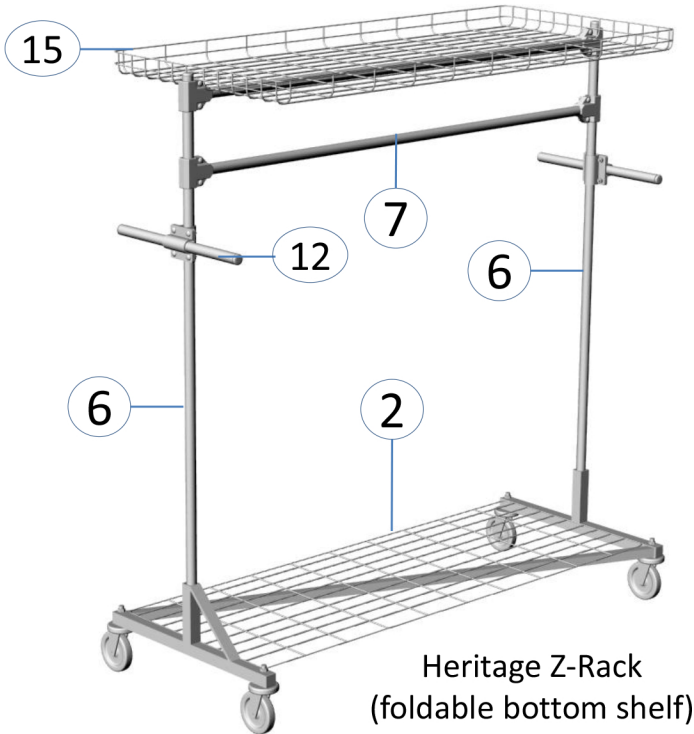


## Assembly Instructions

Tools Required: Adjustable wrench (or 1/2, 11/16, box wrench), hammer.

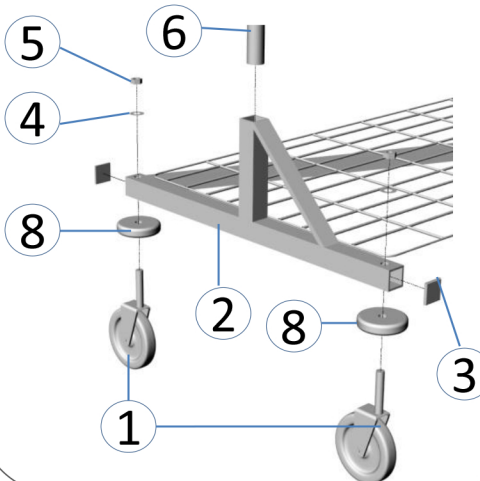


### Parts List

1. Stem Swivel Caster (x4)
2. Garment Rack Frame (x1)
3. Square End Cap (x4)
4. 7/16" Lock washer (x4)
5. 7/16" Hex Nut (x4)
6. Upright Bar (x2)
7. Top Rail Bar (x1)
8. 5" Bumper (x4)
9. 1"x1" Brace Clamp (x4 / 8 pieces)
10. 3/8" Kep Nut (x16)
11. Round End Cap (x6)
12. Steering Bar (x2)
13. Cross Clamp (x2/4)
14. 3/8" Carriage Bolt (x16)
15. Top Shelf (x1)

### Instructions – Bottom

1. Insert Casters (1) through 5" Bumper (8), then into frame (2).
2. Tighten 7/16" lock washer (4) and 7/16" hex nut (5).
3. Insert Square end caps (3) into Frame.



### Assembly Instructions – Brackets

1. Attach top rail bar (7), Top shelf (15) and Upright Bars (6) using brace clamps (9), 3/8" carriage bolts (14) and 3/8" Kep nuts (10).
2. Repeat sequence for Steering Bar (12) and Cross Clamps (13), by securing with 3/8" carriage bolts (14) and 3/8" Kep nuts (10).
3. Insert round end caps (11) into upright bars (6) and steering bars (12).

