

Heavy Duty Z-Rack (Single Rail)

Assembly Instructions

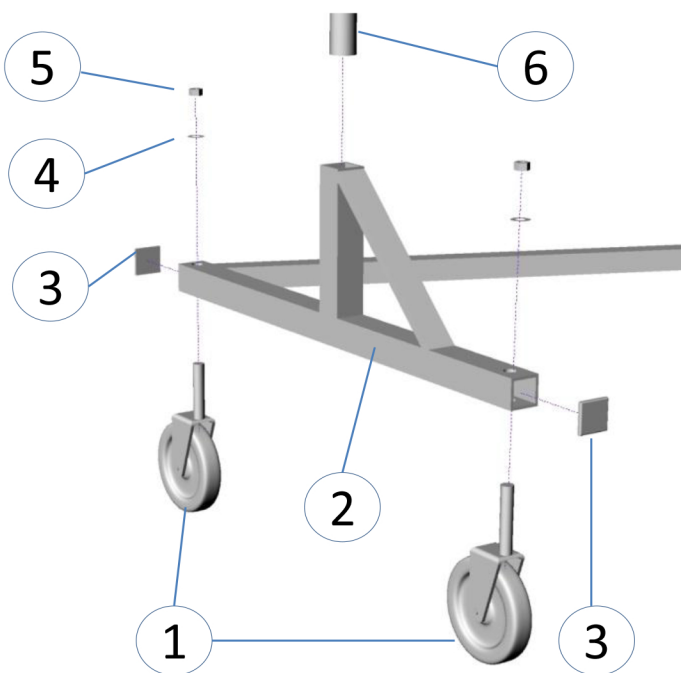
Tools Required: Adjustable wrench (or 1/2, 11/16, box wrench), hammer.

PARTS LIST

1. Stem Swivel Caster (x4)
2. Garment Rack Frame (x1)
3. Square End Cap (x4)
4. 7/16" Lock washer (x4)
5. 7/16" Hex Nut (x4)
6. Upright Bar (x2)
7. Top Rail Bar (x1)
8. 3/8" Carriage Bolt (x4)
9. 1"x1" Brace Clamp (x2 / 4 pieces)
10. 3/8" Kep Nut (x4)
11. Round End Cap (x2)

Assembly Instructions – Bottom

1. Insert Casters (1) into frame (2)
2. Tighten 7/16" lock washer (4) and 7/16" hex nut (5).
3. Insert Square end caps (3) into Frame.



Assembly Instructions – Brackets

1. Attach top rail bar (7) and Upright Bar (6) using brace clamps (9), carriage bolts (8) and Kep nuts (10).
2. Insert round end caps (11) into upright bar (6).
3. Assemble Top and Bottom assemblies to complete the Z-Rack.

