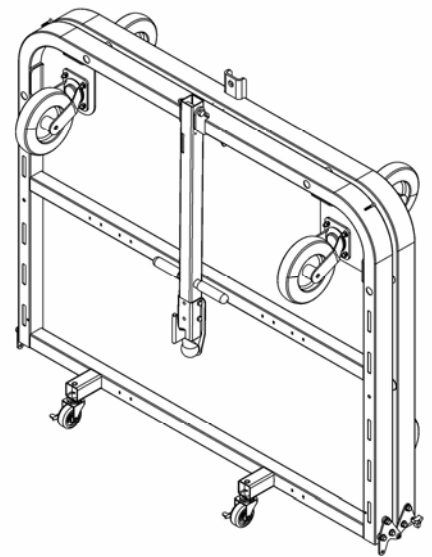
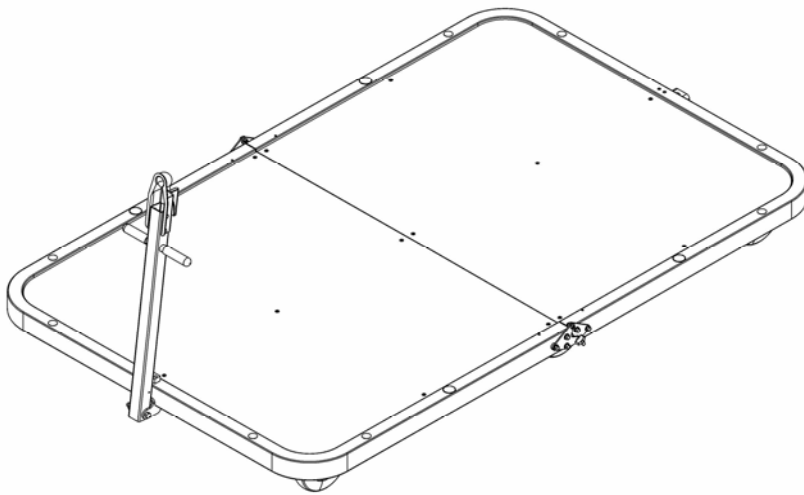




STAGE RIGHT

PRODUCT INFORMATION PACKET

PRODUCT NAME: Field Cart



KEEP INFORMATION PACKET FOR FUTURE REFERENCE

Table of Contents

- Introduction.....1
- General Safety Rules.....2
- Symbols.....3
- Technical Specifications.....4
- Instructions.....5
- Maintenance.....9
- Customer Service Information.....9

Introduction

The StageRight Field Cart has been designed and manufactured with safety, performance and dependability as top priorities, making it easy to operate and maintain.

The care you give your Field Cart will greatly determine your satisfaction with its performance and service life. Careful study of this manual is encouraged to obtain a thorough understanding of your new Field Cart and its functions and maintenance.

If your manual becomes lost or destroyed, StageRight will gladly provide you with a new copy. Should you require additional information or assistance, please feel free to contact us at 1-800-438-4499.

BECAUSE STAGERIGHT CORPORATION MAINTAINS AN ONGOING PROGRAM OF PRODUCT DEVELOPMENT AND IMPROVEMENT, WE RESERVE THE RIGHT TO MAKE IMPROVEMENTS IN DESIGN OR CHANGES IN SPECIFICATIONS WITHOUT INCURRING ANY OBLIGATIONS TO INSTALL THEM ON UNITS PREVIOUSLY SOLD.

General Safety Rules



WARNING!


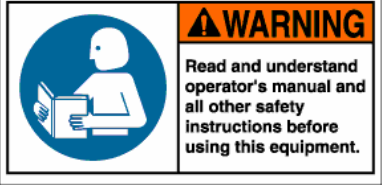

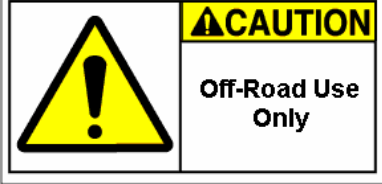
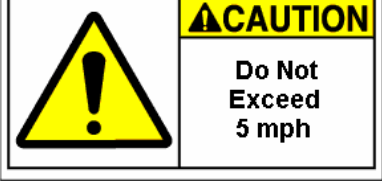
READ AND UNDERSTAND ALL INSTRUCTIONS.

Failure to follow all instructions listed below may result in serious personal injury.

SAVE THESE INSTRUCTIONS

- **Stay clear of all pinch points.** Keep hands away from pinch points.
- **Make sure the hitch coupler is properly engaged before towing Field Cart.**
- **The Field Cart is for Off Road use only.** The cart is intended to be used at practice/game fields. Do not attempt to haul cart on main roadways.
- **Do not haul Field Cart at speeds exceeding 5 mph.** Hauling at excessive speed may cause the cart to lose control thereby causing an accident or serious injury.
- **Do not ride on the Field Cart.** The cart is intended to haul equipment only. Failure to adhere by this rule can cause serious personal injury.
- **Set brakes on the Field Cart when left unattended.**
- **Save these instructions.** Refer to them frequently and use them to instruct others who may use the Field Cart.
- **Read the Product Information Packet.** Failure to read the information packet is considered a misuse of this equipment.
- **Become familiar with all caution and warning decals affixed to the field equipment before use.**
- **Never cover or deface caution/warning labels.**

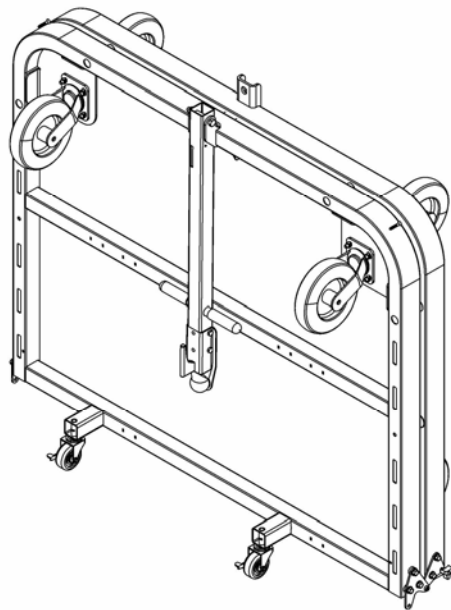
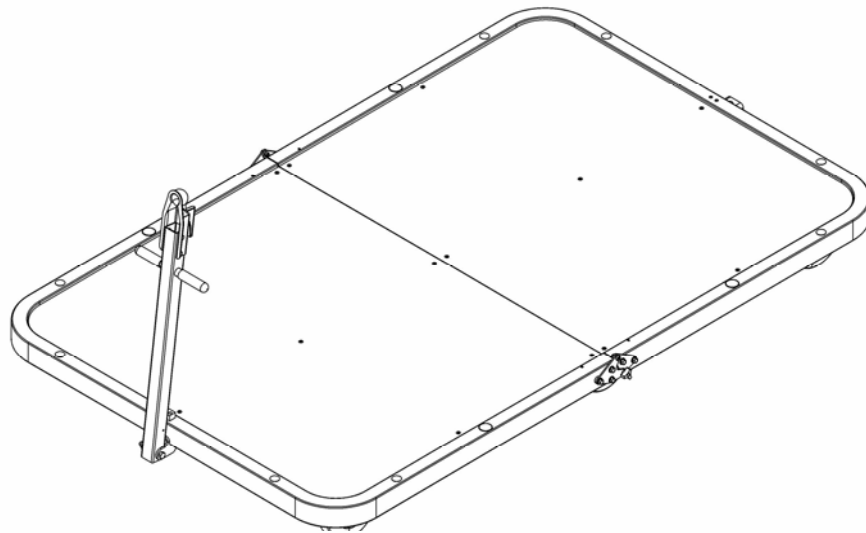
Symbols

	<p>Safety Alert: Precautions that involve your safety</p>
	<p>Read The Operator's Manual: To reduce risk of injury, user must read and understand operator's manual before using this product</p>
	<p>Pinch Point Warning Label: Failure to keep hands away from pinch points will result in personal injury</p>
	<p>For Off-Road Use Only Warning Label: Field equipment is not intended or designated for roadway travel</p>
	<p>Hauling Speed Warning Label: Do not exceed 5 mph when hauling field equipment.</p>

StageRight Corporation Technical Specifications

Field Cart

Part #	Description	Weight	Load Capacity
360160	Field Cart	300 lbs	750 lbs

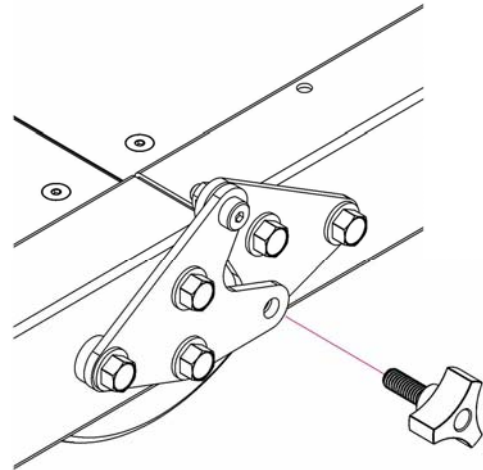
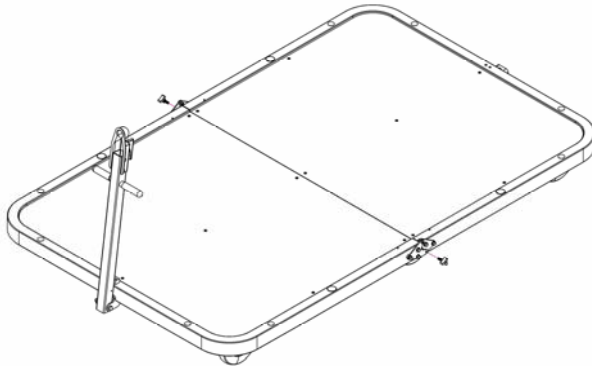


Construction, Finish, and Hardware

- Constructed of ASTM specified steel
- Baked-on powder coat finish.
- Zinc-plated hardware
- "Softex" grip material or equivalent
- Non-marking foam filled casters

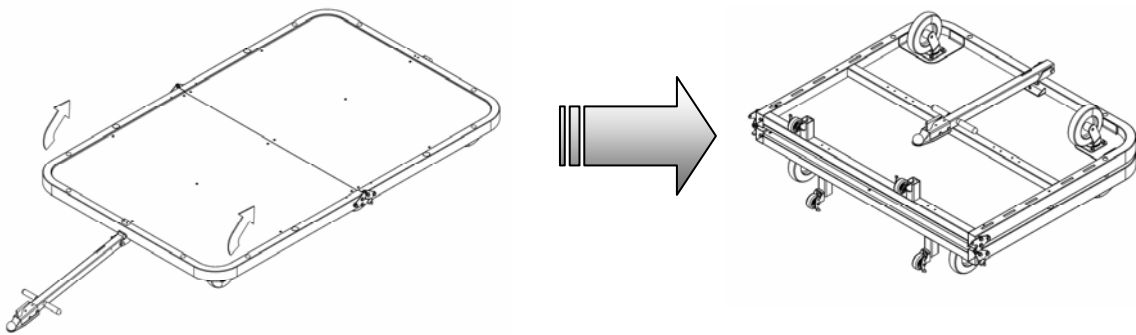
Instructions

1



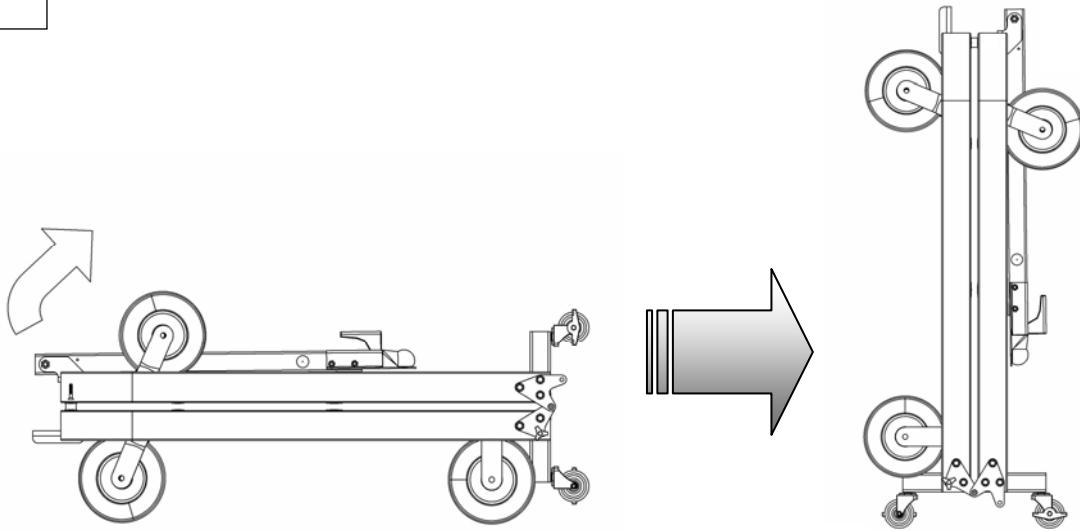
To fold the Field Cart up for storage, begin by removing the locking stud from both sides of the cart. Turning the plastic knob counterclockwise will remove the stud while turning clockwise will tighten the stud. Place the studs aside as they need to be reinserted after the cart has been folded for storage. **Note: Casters should be in locked position when folding/unfolding the Field Cart. The process of folding/unfolding requires two people.**

2



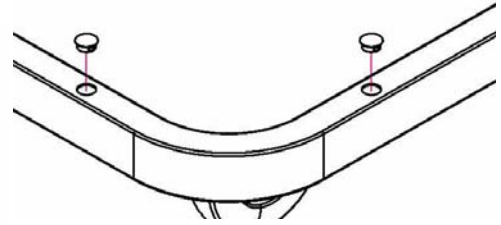
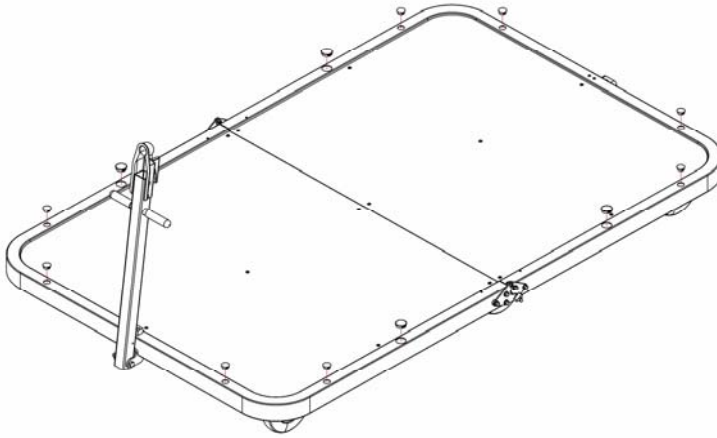
Rotate the hitch tube so that it rests on the floor. Pick up on the front half of the cart and rotate it onto the back half. Position the hitch tube as shown and reinsert threaded studs for storage. **Note: Cart can be maneuvered manually with hitch tube in this orientation. Be sure to have plenty of room when folding cart.**

3



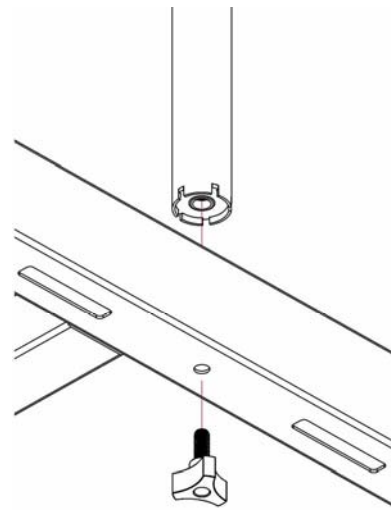
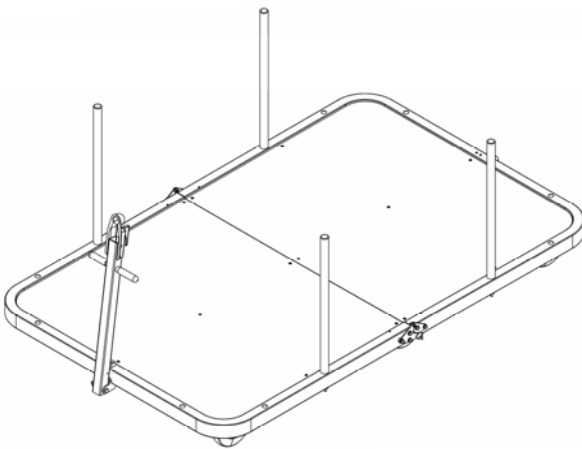
Lift up on the front end of the cart to rotate onto the storage casters. Now the cart can be pushed or pulled to the desired storage location. **Note: Remove threaded studs before unfolding cart when going from the storage position to the use position.**

4



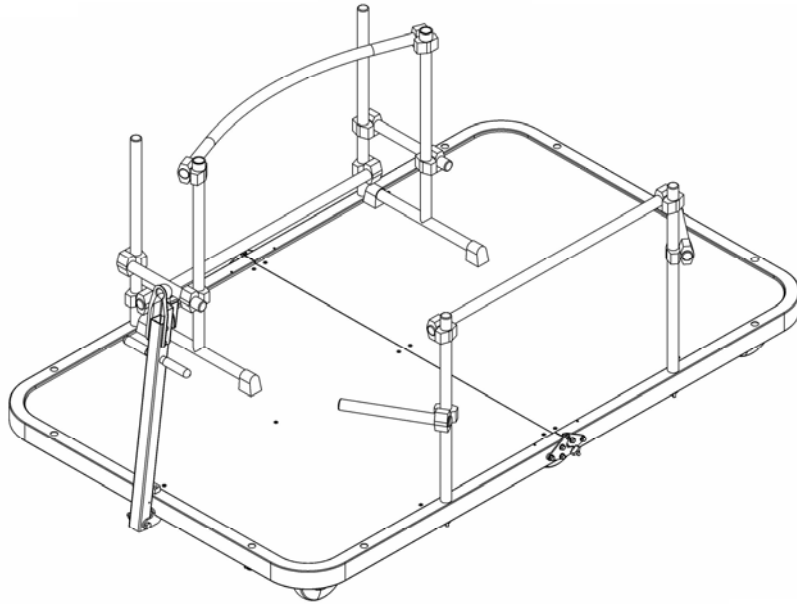
Note: The following steps show installation of add-on features which are sold separately. Remove plastic caps from the top of the frame tube. Plastic caps are reusable and can be reinserted when add-on features are not in use.

5



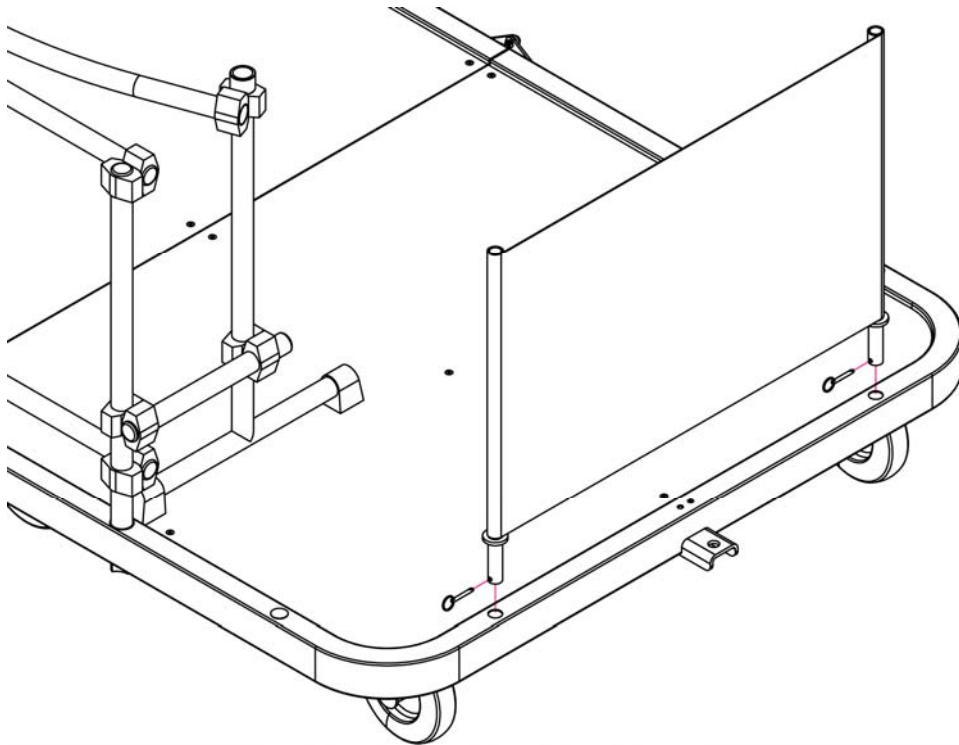
To add equipment rails insert the vertical rail tubes through the top of the frame tube. Use the supplied hardware to securely fasten the rail tube to the frame.

6



With the vertical rails attached tube clamps can be used to position the remaining horizontal equipment rails. The orientation of these rails can be altered for a wide variety of performance setups.

7



To attach vinyl surrounds insert vertical posts through the proper hole in the top of the frame tube. Use the supplied pins and pin through the hole in the vertical posts, on the underside of the Field Cart.

Maintenance



WARNING!

Read and Understand All Maintenance Procedures

Failure to follow all procedures listed below may cause serious injury and a decrease in the equipments functional existence.

- **Frequently check to see that all fasteners are properly engaged.**
- **Touch up paint can be used to cover any scratches or blemishes sustained through use.**
- **Replace any damaged equipment with genuine StageRight parts.** Failure to do so may result in unsafe equipment and/or personal injury.

Customer Service

For parts or service contact StageRight Corporation. When ordering parts be sure to provide all relevant information available including the name and part number of the equipment purchased. This information is located on the cover of this product information package. Hours of phone service are Monday thru Friday from 8:00 a.m. to 5:00 p.m. Eastern Standard Time. Customers can phone toll-free at (800) 438-4499 or mail:

StageRight Corporation
495 Pioneer Parkway
Clare, Michigan 48617
www.stageright.com



SET UP IN MINUTES



STURDY, WITH NO TOOLS REQUIRED



UNSURPASSED CUSTOMER SERVICE

StageRight Corporation
495 Pioneer Parkway
Clare, MI 48617
Toll-free: 800-438-4499
Phone: 989-386-7393
Fax: 989-386-3500
Email: info@stageright.com
Web: www.stageright.com