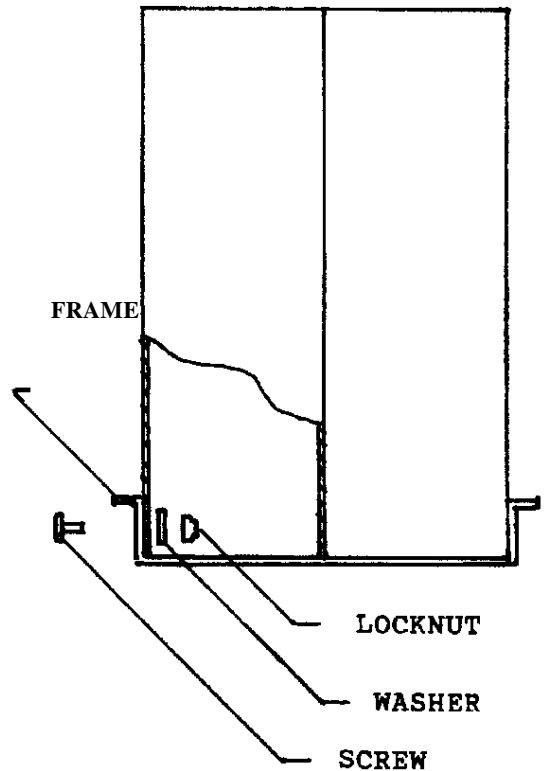
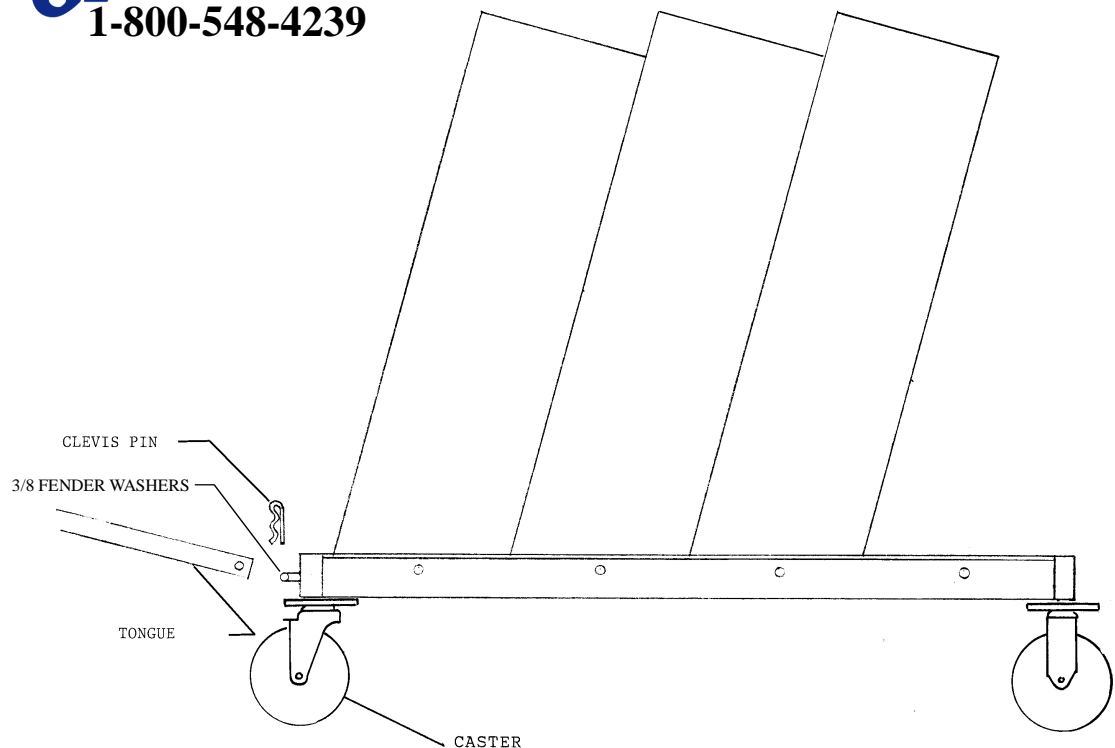


FLAG CART ASSEMBLY INSTRUCTIONS

1. Turn frame upside down.
2. Install the two (2) rigid casters on the end opposite the tongue. Install the two (2) swivel casters on the end with tongue using the sixteen (16) carriage bolts, nuts and washers.
3. Turn cart frame right side up to install the plastic tubes. Carefully place the six tubes in the frame and push the tubes forward against the front of the frame. See drawing for correct placement in relation to the tongue hitch. Align the tube and frame holes and install the six screws, nuts and washers. See dwg. Tighten securely.
4. Install the tongue using the two hitch pins and washers.
5. You are now ready to use your flag cart.



Ji-JARVIS
Marching Band Products
1-800-548-4239



NOTE : TWO EXTRA TUBES MAY BE INSTALLED FOR INCREASED CAPACITY.